

BUFFER TANKS

THERMATEC STAINLESS STEEL SUS304
/ DUPLEX BUFFER TANK

- **buffer tanks:**
 - TH-ZB-100L/W
 - TH-ZB-100L
 - TH-ZB-200L/W
 - TH-ZB-300L/W

TANK VERSIONS

- **SILVER** - silver color | magnesium anode
- **TITANIUM** - matte black color | titanium anode



THERMATEC STAINLESS STEEL
BUFFER TANKS

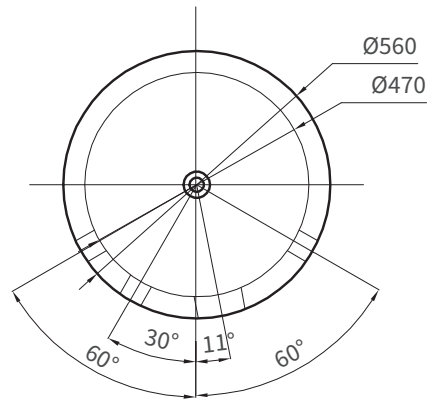
TECHNICAL SPECIFICATIONS

Wymiary zbiornika buforowego THERMATEC

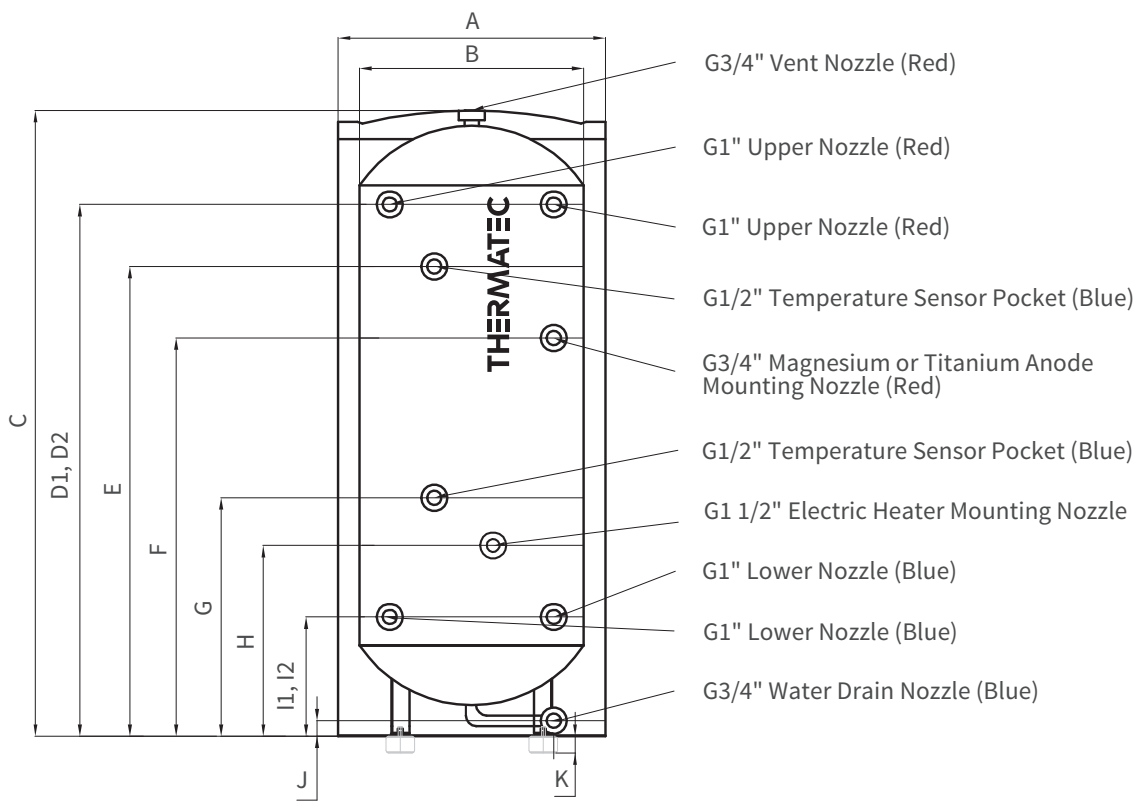
PARAMETERS	SYMBOL	UNIT	MODEL			
			TH-ZB-100L/W	TH-ZB-100L	TH-ZB-200L/W	TH-ZB-300L/W
Tank Capacity		l	100	100	200	300
Tank Enclosure Diameter	A	mm	470	560	560	600
Tank Diameter	B	mm	370	470	470	500
Vent Nozzle (Red) – ¾"	C	mm	1032	780	1312	1554
Upper Nozzle (Red) – 1"	D1	mm	850	580	1115	1355
Upper Nozzle (Red) – 1"	D2	mm	850	580	1115	1355
Temperature Sensor Pocket – ½"	E	mm	720	520	985	1255
Magnesium or Titanium Anode Mounting Nozzle – ¾"	F	mm	570	460	835	1075
Temperature Sensor Pocket – ½"	G	mm	450	330	500	500
Electric Heater Mounting Nozzle – 1½"	H	mm	350	280	400	400
Lower Nozzle (Blue) – 1"	I1	mm	200	230	250	230
Lower Nozzle (Blue) – 1"	I2	mm	200	230	250	230
Water Drain Nozzle (Blue) – ¾"	J	mm	32,5	32,5	32,5	32,5
Feet, Supports – x 4	K	mm	68	68	35	35
Insulation		mm	50	50	45	50
Maximum Operating Temperature		°C	85	85	85	85
Maximum Pressure of Tank and Coil		bar	6	6	6	6
Weight		kg	26	24	43	52
Standstill losses		W	28	28	33	40
ERP Energy Class			A	A	A	A

TECHNICAL SPECIFICATIONS

Drawing of THERMATEC Buffer Tank



Top View



Bottom View

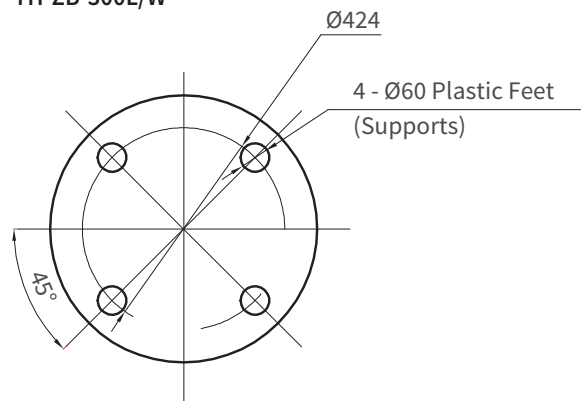
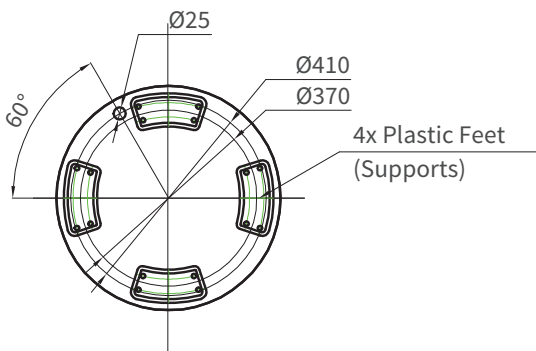
TH-ZB-100L/W

Bottom View

TH-ZB-100L

TH-ZB-200L/W

TH-ZB-300L/W



MANUFACTURER'S STAMP

HOME STAR Sp. z o.o.
ul. Misjonarzy Oblatów 20A
40-129 Katowice
KRS 0000729842 NIP 634 292 88 43



THERMATEC | Home Star sp. z o.o.
Misjonarzy Oblatów MN 20A
40-129 Katowice, Polska [Poland]

Office: (+48) 32 722 02 03
Mobile Phone: (+48) 533 222 223
biuro@thermatec.pl

TH-ZB-100L/W, TH-ZB-100L
TH-ZB-200L/W, TH-ZB-300L/W

www.thermatec.eu | www.thermatec.pl | www.thermatec.cz | www.thermatec.fi | www.thermatec.nl